

HUDSON OTTOMAN



ITEM NO. IOT1804

MATERIALS Tibetan Lambswool, Leather

FILL Foam

DIMENSIONS + WEIGHTS

14" Ø 15 · 20 lbs

18" Ø 32 · 37 lbs

22" Ø 40 · 45 lbs

CUSTOMIZATIONS Dimensions, alternative shearling or leathers, colors and materials upon request. A physical swatch is required for all COM/COL. Additional fees may apply.

22"Ø TL46 Silver Grey Tibetan Lambswool

Eleven pentagon shaped Tibetan shearling panels are sewn together and finished with one matching pentagon shaped leather panel. The hand moulded fill adds structure and stability to the sculptural form creating comfortable seating with a soft, fluffy and airy presence. The Hudson Ottoman is finished with a laced detail closure.

TIBETAN LAMBSWOOL

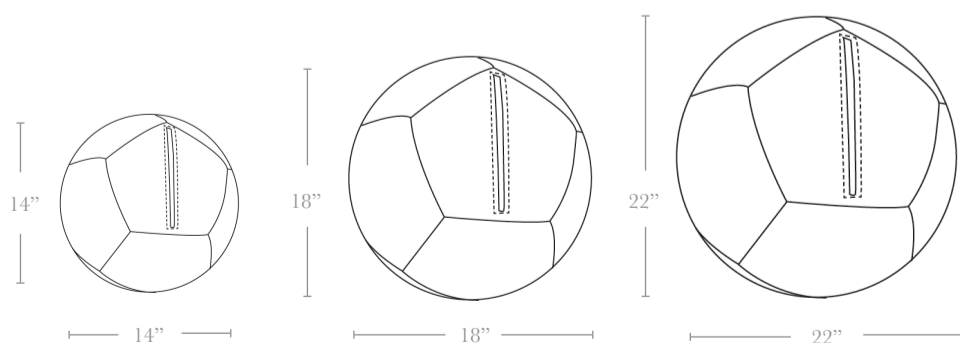
TIBETAN LAMBSWOOL * is a long and curly natural Tibetan Lambswool from Mongolia/Tibet



* Please contact sales for current color availability



14"Ø TL02 Black Tibetan Lambswool



All items are made by hand to order in Long Island, NY. Dimensions are approximate. Our products are made of organic materials and therefore subject to natural variances. Differences in the color or texture of leather and signs of wear are inherent. Small scratches or blemishes found within the product are naturally occurring. Exposure to prolonged direct sunlight may cause discoloration. Please contact sales with further questions.