

BANDED OTTOMAN



18"Ø G05 Chocolate Napa Leather : Brad Ford Interior Design - 100 Barclay, NYC | Photo: Scott Frances

ITEM NO. IOT1502

MATERIALS Leather

FILL Foam

LEATHER OPTIONS Shasta, Napa

DIMENSIONS + WEIGHTS

14" Ø	15 · 20 lbs
18" Ø	32 · 37 lbs
22" Ø	40 · 45 lbs

CUSTOMIZATIONS Dimensions, alternative leathers, colors and materials upon request. A physical swatch is required for all COM/COL. Additional fees may apply.

Twelve pentagon shaped leather panels are sewn together and stitched with parallel banding for our round Banded Ottoman. The hand-moulded fill adds structure and stability to the sculptural form creating comfortable seating with a soft presence. The Banded Ottoman is finished with a laced detail closure.

NAPA LEATHER

NAPA is a full-grain leather featuring a durable protective finish with a small pebble grain

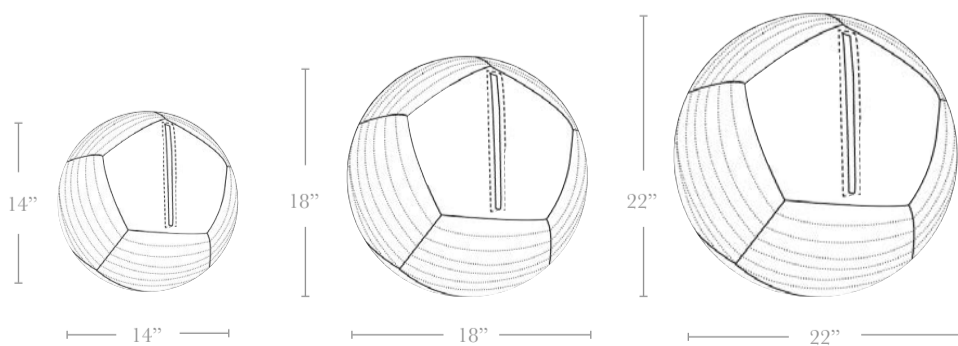


SHASTA LEATHER

SHASTA is a full-aniline leather featuring an unprotected finish that patinas and gains natural character with use



22"Ø A05 Chocolate / A06 Brown / A47 Burgundy Shasta Leather (Three-Tone)



All items are made by hand to order in Long Island, NY. Dimensions are approximate. Our products are made of organic materials and therefore subject to natural variances. Differences in the color or texture of leather and signs of wear are inherent. Small scratches or blemishes found within the product are naturally occurring.