

BALL OTTOMAN



ITEM NO. IOT1501

MATERIALS Leather

FILL Foam

LEATHER OPTIONS Shasta, Napa

DIMENSIONS + WEIGHTS

14" Ø	15 · 20 lbs
18" Ø	32 · 37 lbs
22" Ø	40 · 45 lbs

CUSTOMIZATIONS Dimensions, alternative leathers, colors and materials upon request. A physical swatch is required for all COM/COL. Additional fees may apply.

18"Ø G18 Greige Napa Leather

Twelve pentagon shaped leather panels are sewn together for our round Ball Ottoman. The hand-moulded fill adds structure and stability to the sculptural form creating comfortable seating with a soft presence. The Ball Ottoman is the most minimal silhouette of our ottoman collection finished with a laced detail closure.



18"Ø A124 Latte Shasta Leather

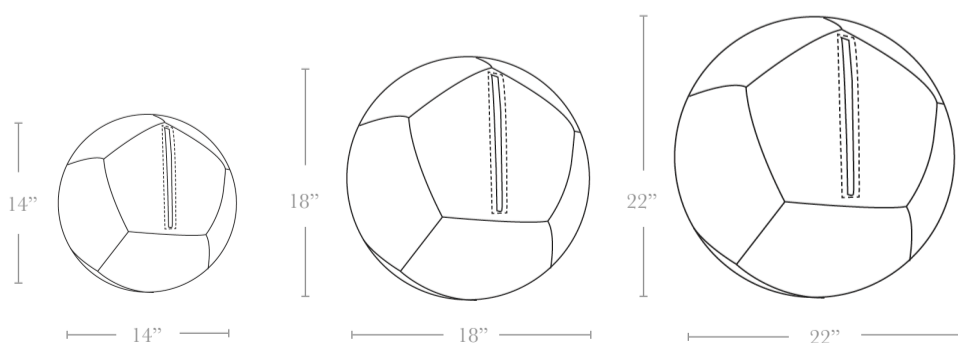
NAPA LEATHER

NAPA is a full-grain leather featuring a durable protective finish with a small pebble grain



SHASTA LEATHER

SHASTA is a full-aniline leather featuring an unprotected finish that patinas and gains natural character with use



All items are made by hand to order in Long Island, NY. Dimensions are approximate. Our products are made of organic materials and therefore subject to natural variances. Differences in the color or texture of leather and signs of wear are inherent. Small scratches or blemishes found within the product are naturally occurring.